

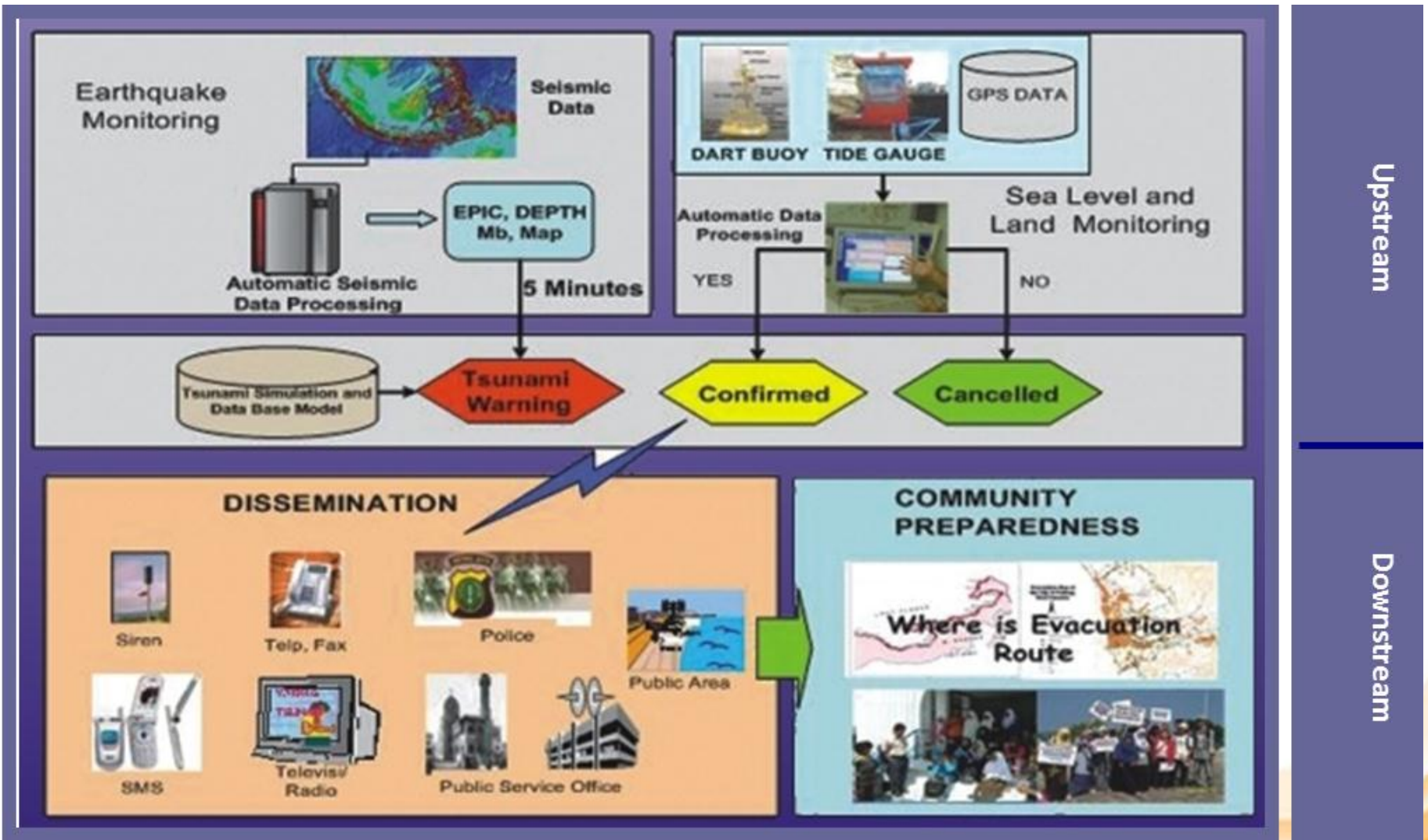
InaTEWS



Tsunami Early Warning in the Indian Ocean



InaTEWS - an end to end system



Upstream

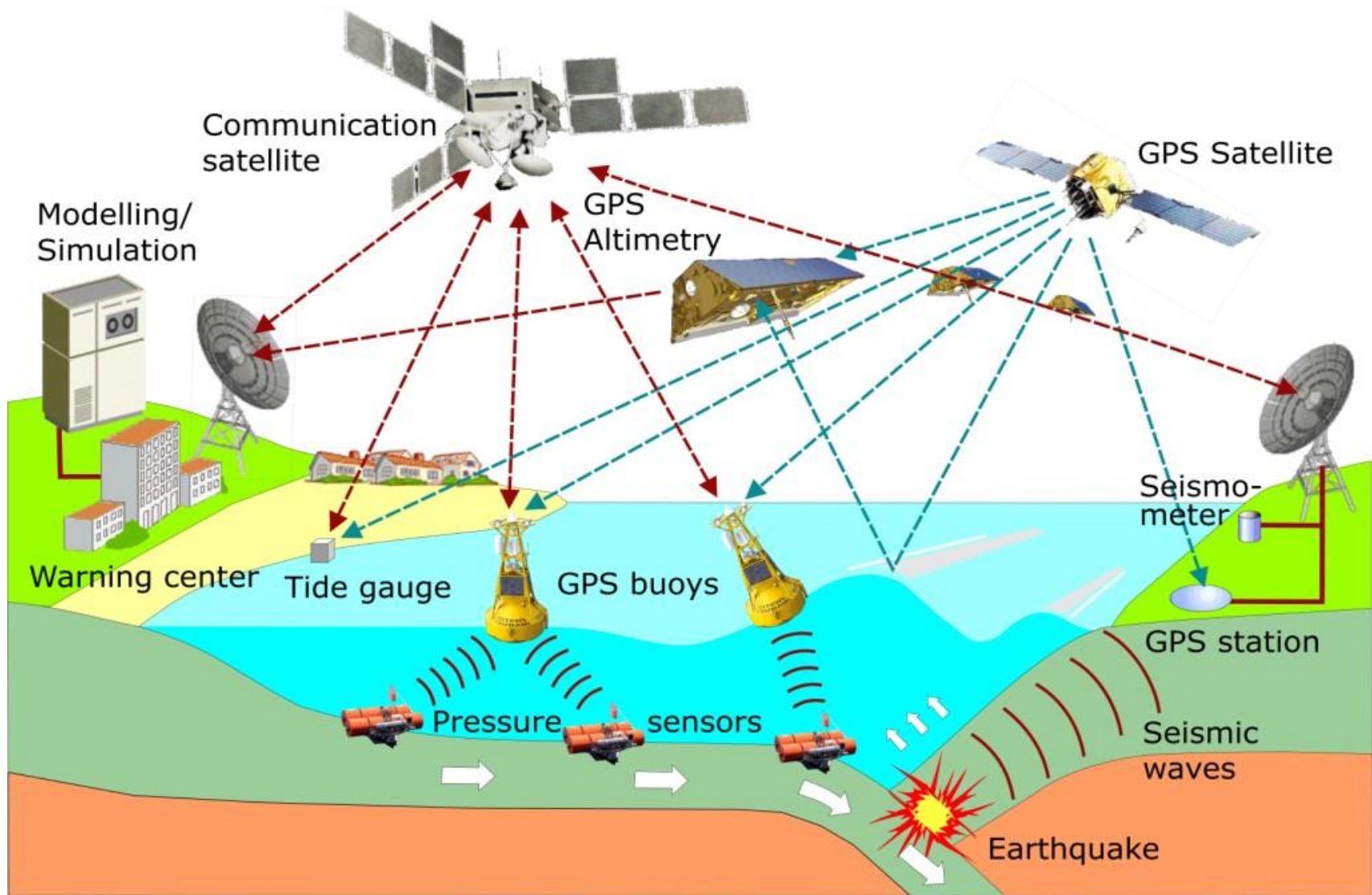
Downstream

The 4 Elements of people-centered early warning



InaTEWS

Monitoring & Warning Service



National Tsunami Warning Center Decision Support System



TEST MODE

Situation Assessment

DSS Incident Assessment
Novelty: [Progress Bar] Certainty: [Progress Bar]

Simulation System
Novelty: [Progress Bar] Certainty: [Progress Bar]

Intelligence Monitoring System
Severity: [Progress Bar] Certainty: [Progress Bar]

Continuous Global Positioning System
Novelty: [Progress Bar] Certainty: [Progress Bar]

Wave Gauge System
Severity: [Progress Bar] Certainty: [Progress Bar]

Novelty Map: 55

Overview Map
Max Ext: 105 km

U: 8 18 17 04 07° E 10 12 21 17 42 66° S
Scale: 1:15,100,000

Map Layers

- All Assets
- Mega Cities
- HSE
- COOD Warning Adjustments
- HSS Warning Protocols
- Warning Segment Sites
- Overall Warning Segment Sites
- Segments of Assessment Area

Time: 2012/04/18 15:15:52 UTC

Incident ID: **dmq2012bzhtv**

Region: **Central Sumatra, Indonesia**

Inc. created: **00 h 01 m 25 s ago**

EQ occurred: **00 h 03 m 52 s ago**

Magnitude: **7.5 M**

SOAL: **Monitoring**

Mode: **COOD required at desk**

Sea	Segment	W	WGS Order	DSS Protocol	COOD	TTL	ETA	Segment Profile	Exp To	
125	SIPM4 Segm	Wave	Wave	Wave Warning	Wave Warning	2310.060317	15:21:35.822	7.7 m	20537	1
126	SIPM4 Segm	Wave	Wave	Wave Warning	Wave Warning	2310.060317	15:24:31.842	7.7 m	12317	0
127	SIPM4 Segm	Wave	Wave	Wave Warning	Wave Warning	2310.060317	15:25:15.842	7.6 m	7457	0
141	SIPM4 Segm	Wave	Wave	Wave Warning	Wave Warning	2310.060317	15:25:56.842	7.7 m	19526	0
142	SIPM4 Segm	Wave	Wave	Wave Warning	Wave Warning	2310.060317	15:25:48.842	7.7 m	7563	0
27	SIPM1 Headline	Wave	Wave	Wave Warning	Wave Warning	2310.060317	15:23:21.822	7.1 m	1951	0
64	SIPM1 Headline	Wave	Wave	Wave Warning	Wave Warning	2310.060317	15:23:25.822	7.1 m	1933	0
65	SIPM1 Headline	Wave	Wave	Wave Warning	Wave Warning	2310.060317	15:23:28.822	7.9 m	0	0
113	BPBCK1	Wave	Wave	Wave Warning	Wave Warning	2310.060317	15:27:41.822	7.6 m	987	0
125	SIPM1 Headline	Wave	Wave	Wave Warning	Wave Warning	2310.060317	15:23:21.822	6.9 m	1	0
173	BPBCK1	Wave	Wave	Wave Warning	Wave Warning	2310.060317	16:01:23.822	6.6 m	15	0
123	SIPM1 Headline	Wave	Wave	Wave Warning	Wave Warning	2310.060317	15:23:25.822	6.8 m	146	0
137	BPBCK1	Wave	Wave	Wave Warning	Wave Warning	2310.060317	16:29:23.822	6.6 m	933	0
137	SIPM4 Segm	Wave	Wave	Wave Warning	Wave Warning	2310.060317	15:25:26.822	6.6 m	0	0
137	SIPM4 Segm	Wave	Wave	Wave Warning	Wave Warning	2310.060317	15:25:11.822	6.6 m	0	0
21	SIPM1 Headline	Wave	Wave	Wave Warning	Wave Warning	2310.060317	15:23:21.822	6.6 m	758	0
21	SIPM1 Headline	Wave	Wave	Wave Warning	Wave Warning	2310.060317	15:23:21.822	6.6 m	824	0
21	SIPM1 Headline	Wave	Wave	Wave Warning	Wave Warning	2310.060317	15:23:21.822	6.6 m	824	0
61	SIPM1 Headline	Wave	Wave	Wave Warning	Wave Warning	2310.060317	15:21:15.822	6.7 m	824	0

Completion of Contributions

Message: [Dropdown]

Ready for Dissemination

Selective Assessments

name: by COOD level [Dropdown] and by ETA [Dropdown] and by location [Dropdown] near [Dropdown]

apply level: [Dropdown]

and of local [Dropdown] and COOD coning [Dropdown]

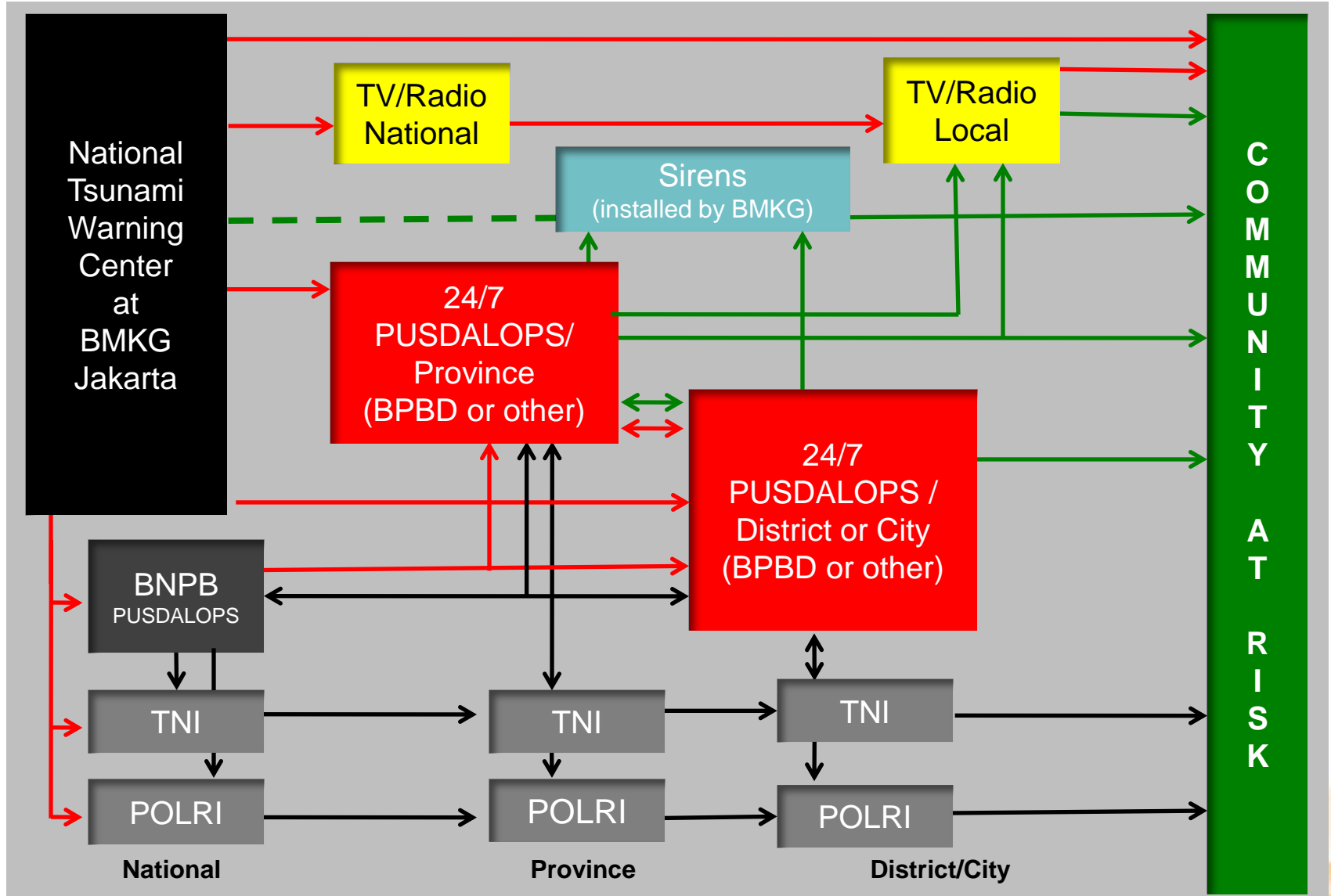
DSS: Decision Perspective

Copyright © DLR, 2002-2011 Reverting Map: Map

Division of roles in InaTEWS



InaTEWS Warning Chain



Legend: → Warning from the BMKG → Guidance from local governments → Mobilization for emergency response - - Temporary link until handed over to local governments





**Save
lives!**





**Project for Training, Education and Consulting for
Tsunami Early Warning System (PROTECTS)
Capacity Development in Local Communities**



www.gitews.org/tsunami-kit

